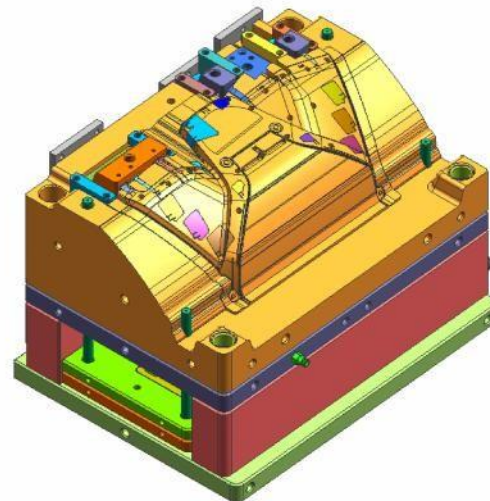
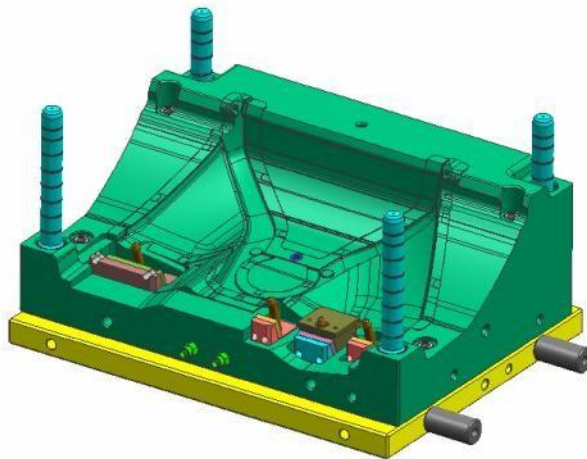
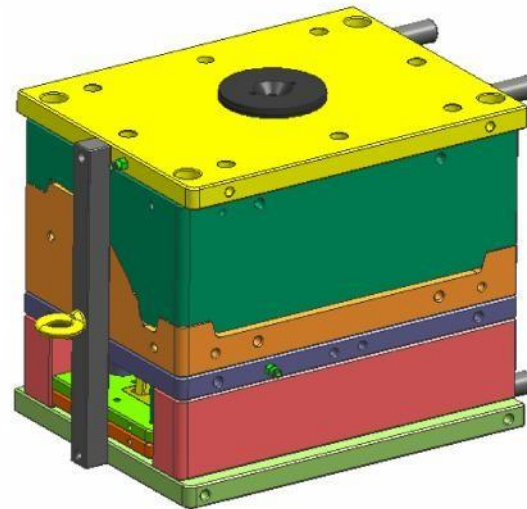
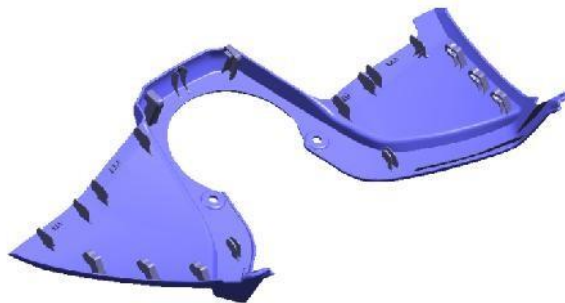


Customer : Premier Plamotec
End Customer : Suzuki
Part name : COVER-LEG-SHIELD-XF351
Part size : 135 x 255 x 460
Part Weight : 140gms
Part Material : ABS
Mould Size : 456 x 596 x 510





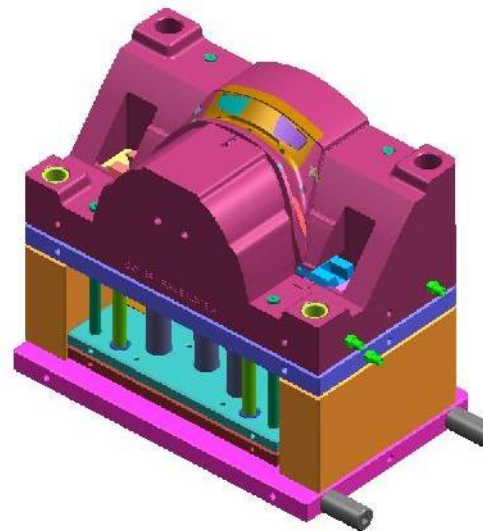
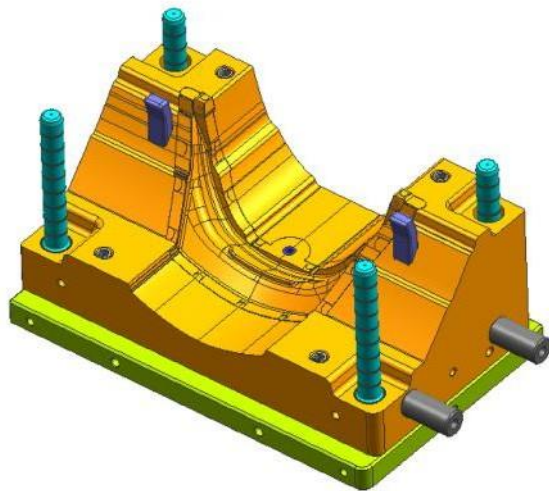
Part name : COVER-FRAME-LOWER-XF351

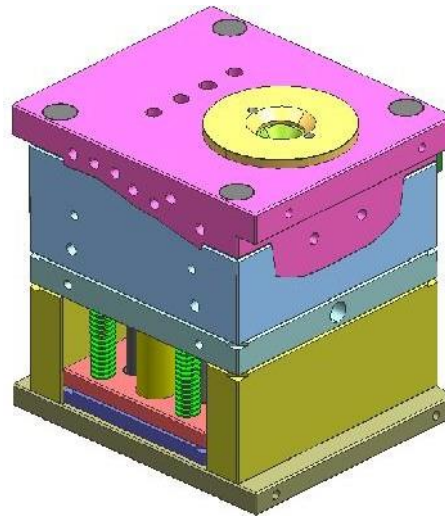
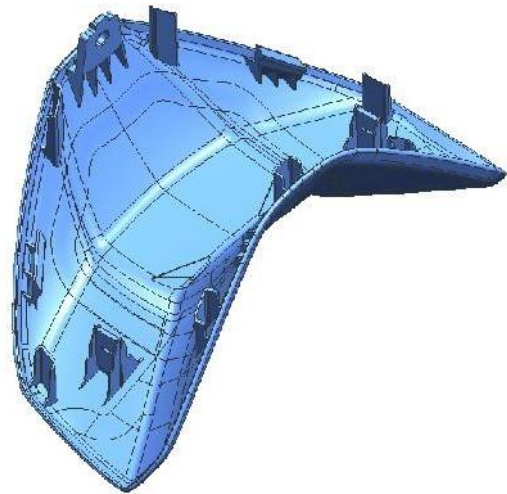
Part size : 111 x 165 x 326

Part Weight : 85gms

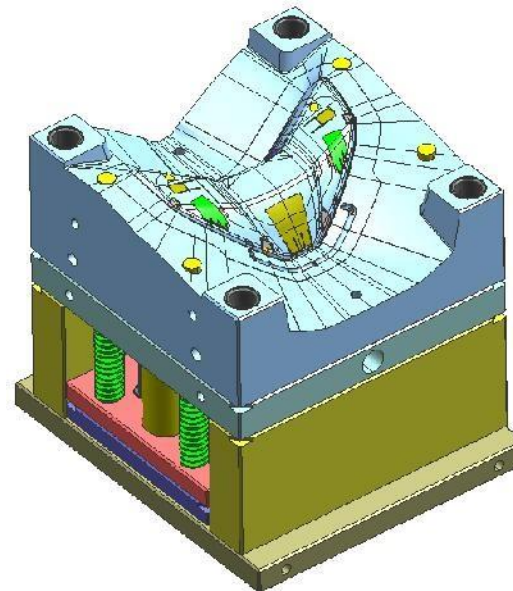
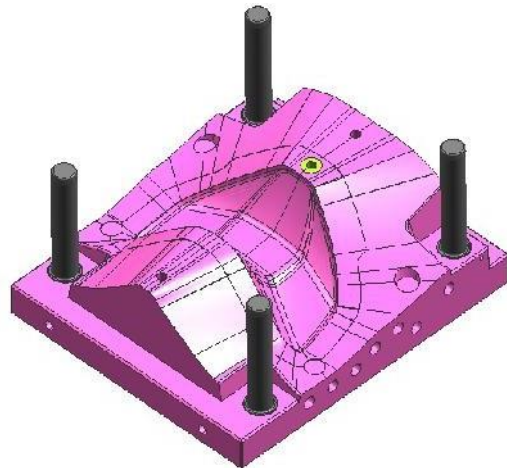
Part Material : PPCP

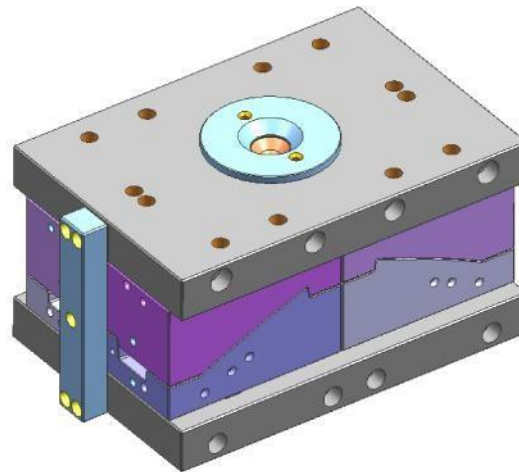
Mould Size : 456 x 596 x 510



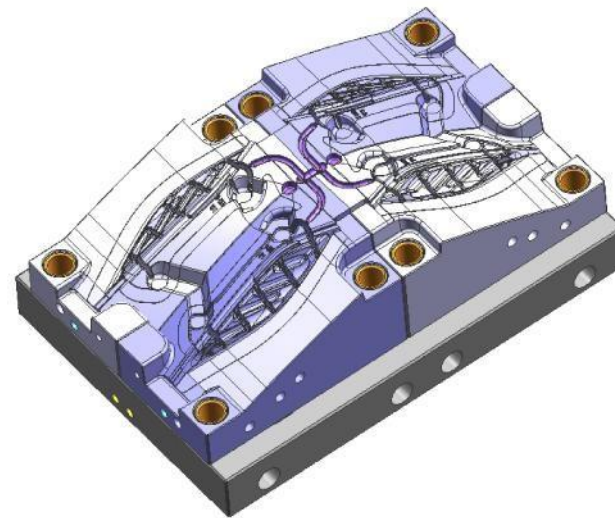
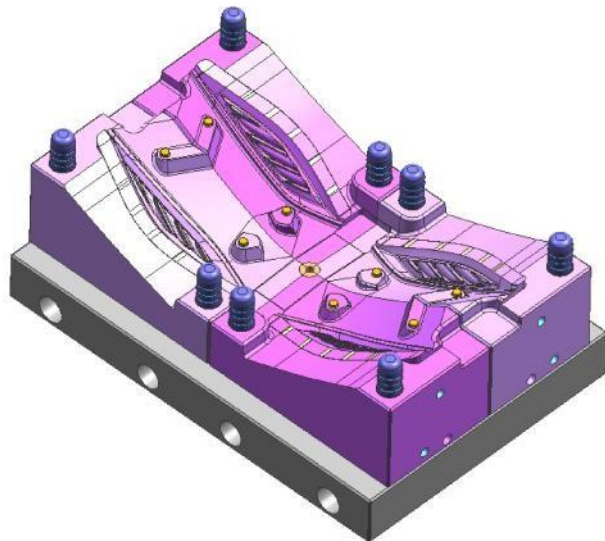


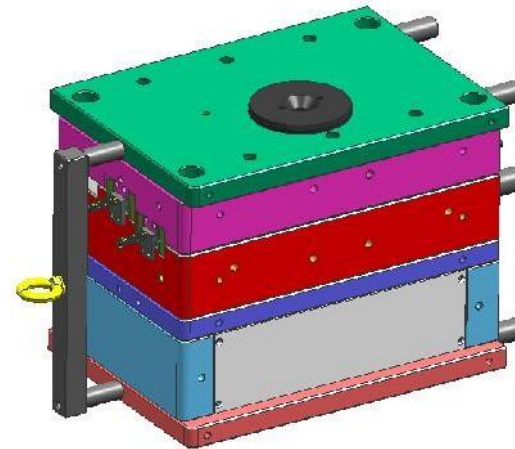
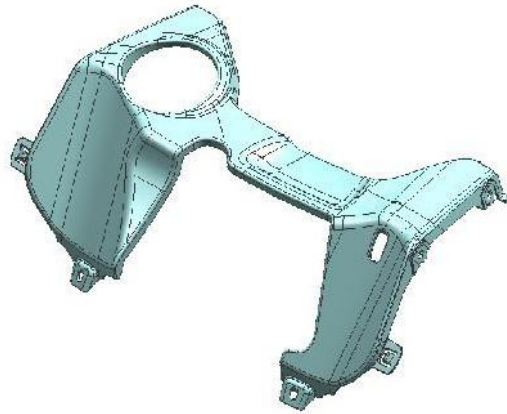
Customer : Premier Plamotec
End Customer : Suzuki
Part name : COVER-HANDLE-UPPER-XF351
Part size : 261 x 117 x 100
Part Weight : 67gms
Part Material : ABS
Mould Size : 296 x 346 x 350



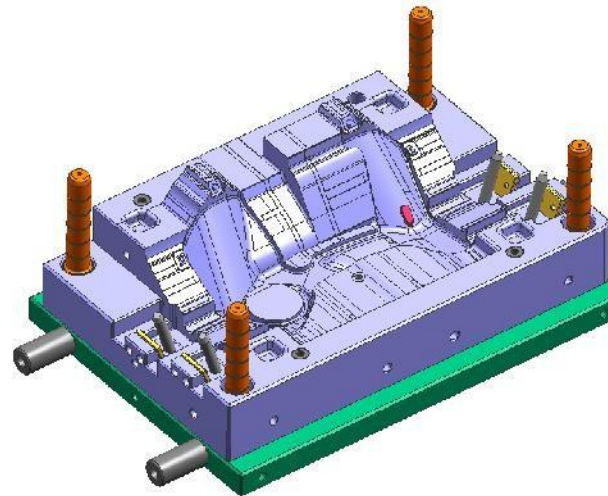
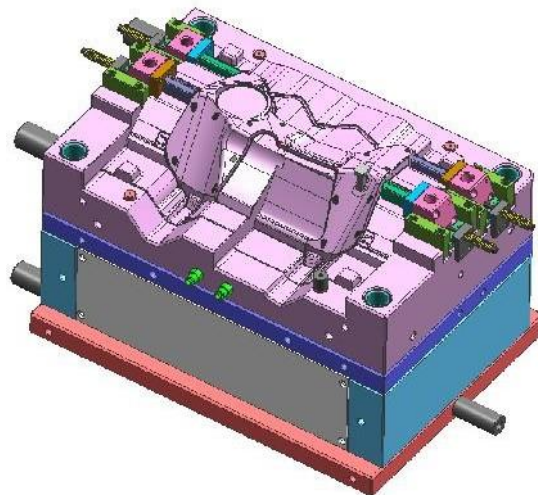


Customer : Premier Plamotec
End Customer : Honda
Part name : LOUVER
Part size : 182 x 80 x 68
Part Weight : 38gms
Part Material : PVC
Mould Size : 480 x 330 x 270

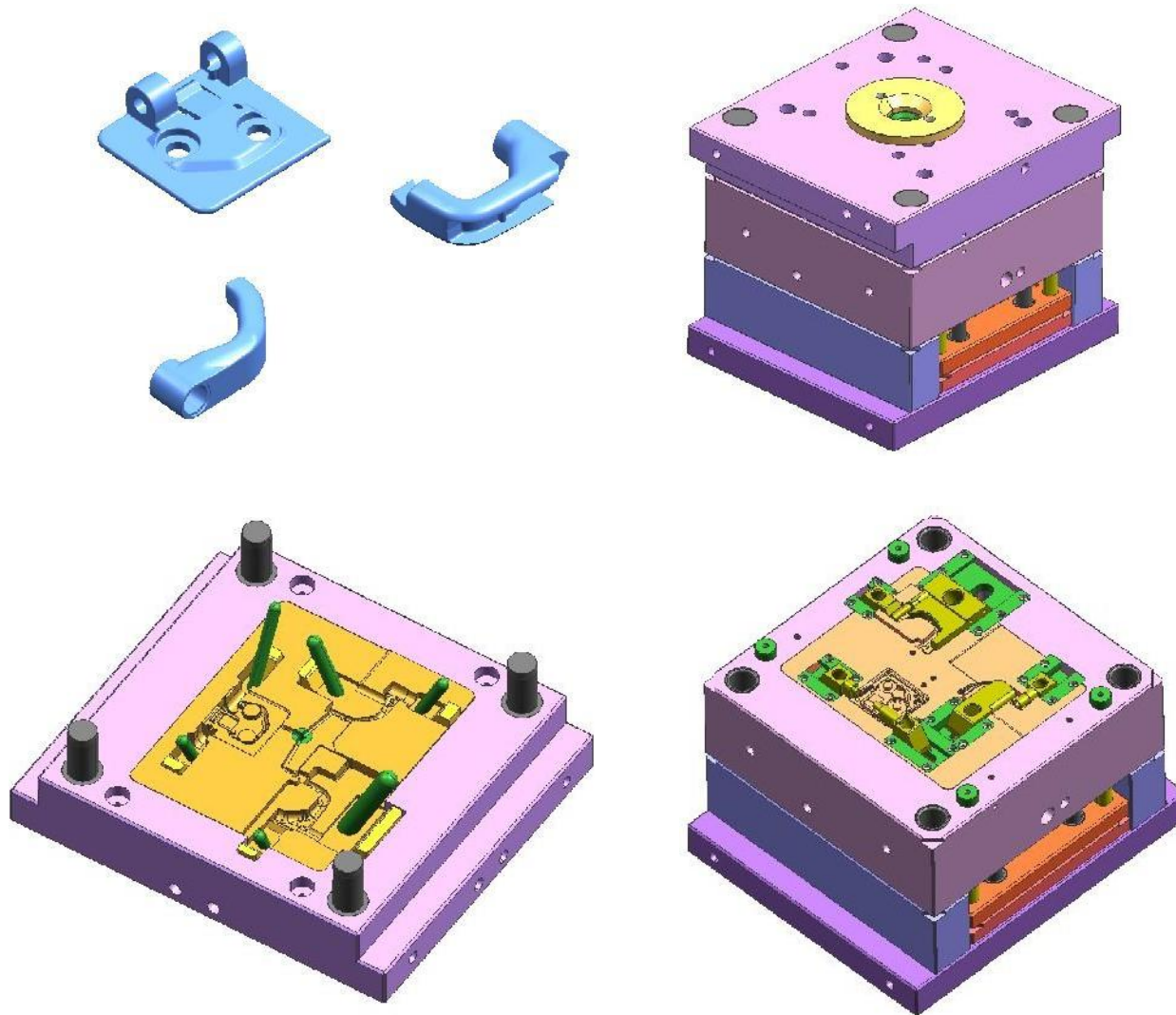


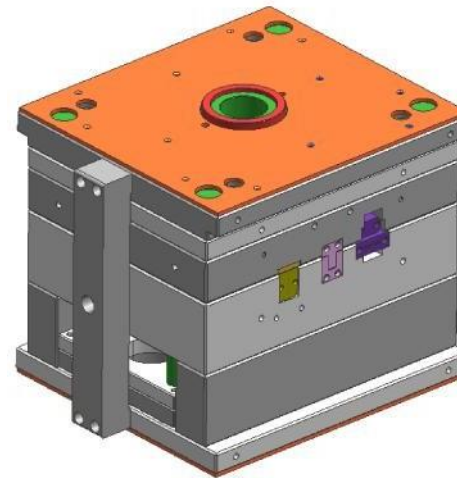


Customer : Premier Plamotec
End Customer : Suzuki
Part name : Cover FrameLower
Part size : 125 x 200 x 362
Part Weight : 115gms
Part Material : PP
Mould Size : 426 x 576 x 450

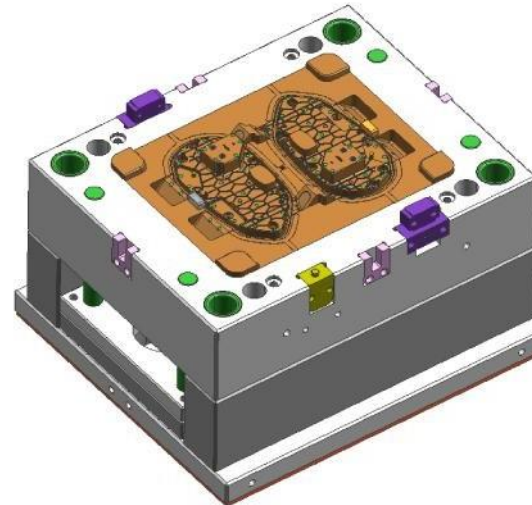
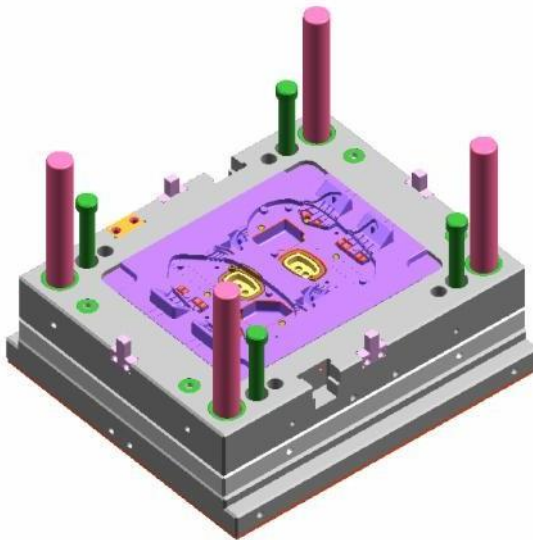


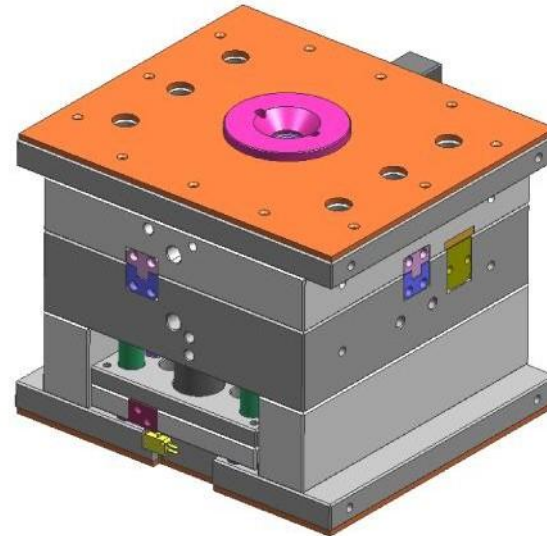
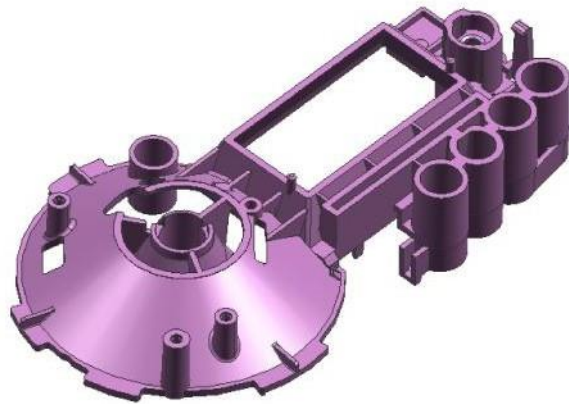
Customer : Premier Plamotec
End Customer : Honda Part
name : HOOK LUGGAE
Parts Weight : 38gms
Part Material : PA GF15
Mould Size : 296 x 346 x 275



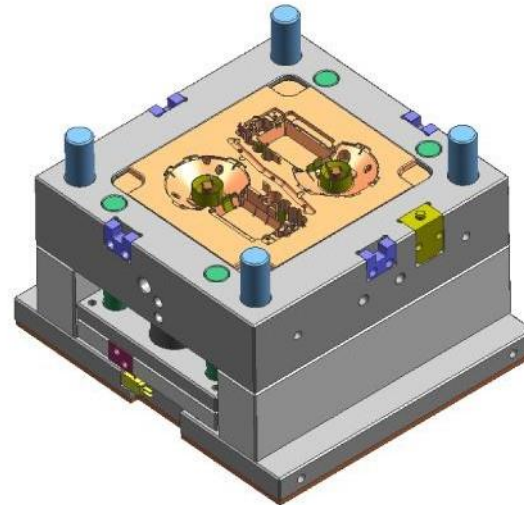
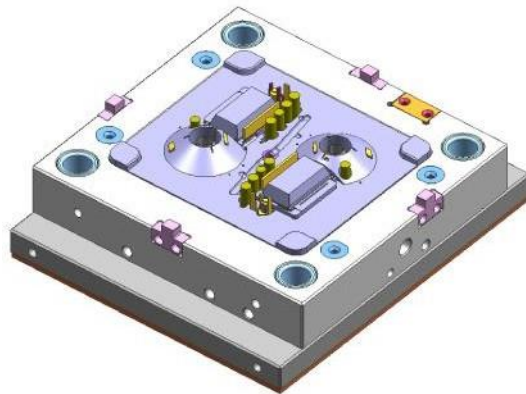


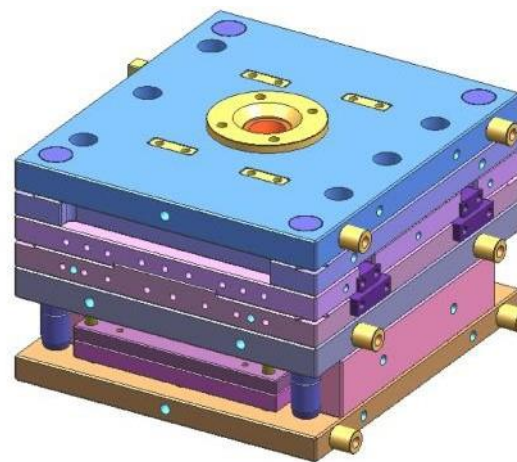
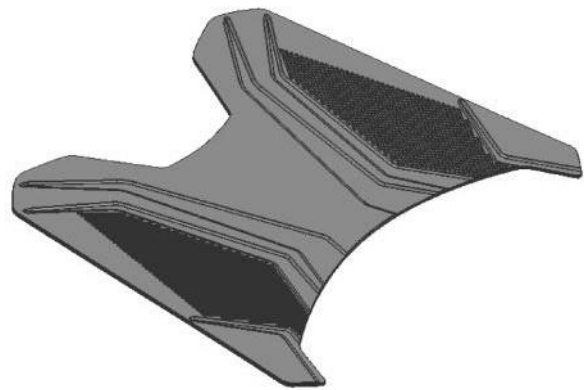
Customer : PremierPlamotec
End Customer : TVS
Part name : HOUSING-BOTTOM
Part size : 45 * 140 * 220
Part Weight : 90gms
Part Material : ABS
Mould Size : 446 x 496 x 445



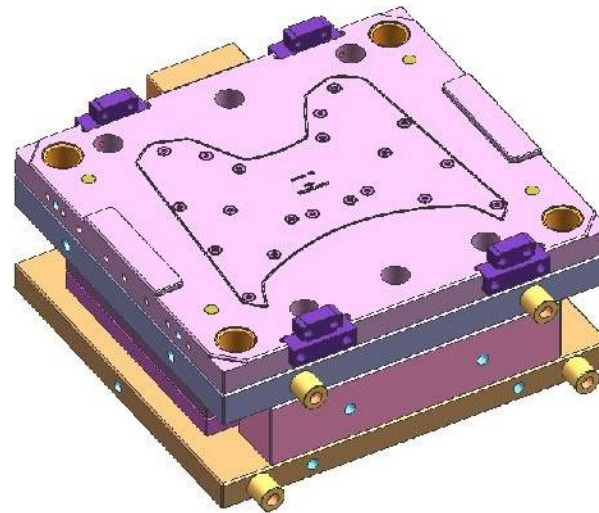
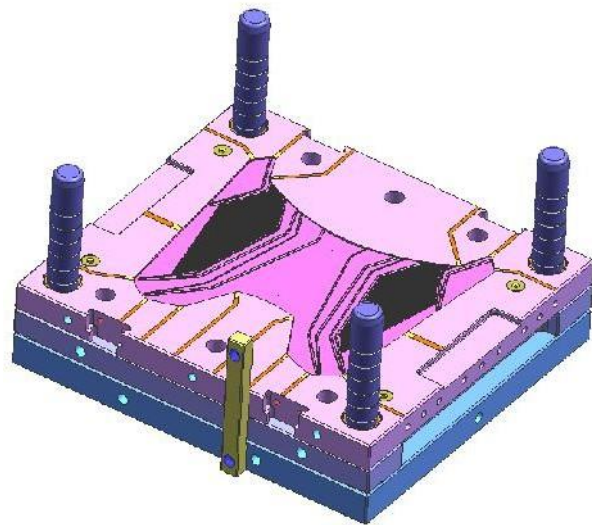


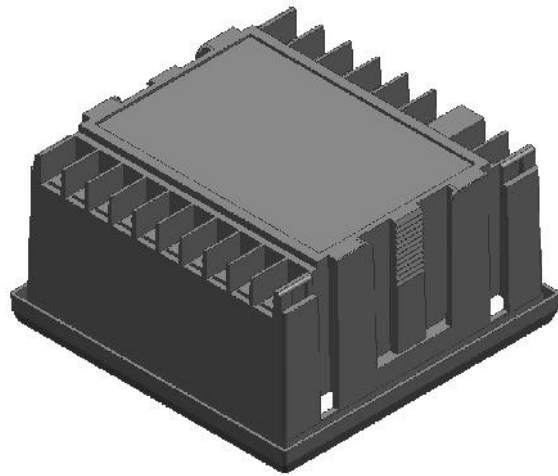
Customer : Premier Plamotec
End Customer : TVS
Part name : LIGHT-GUIDE
Part size : 34 x 94 x 165
Part Weight : 39gms
Part Material : ABS
Mould Size : 346 x 396 x 312



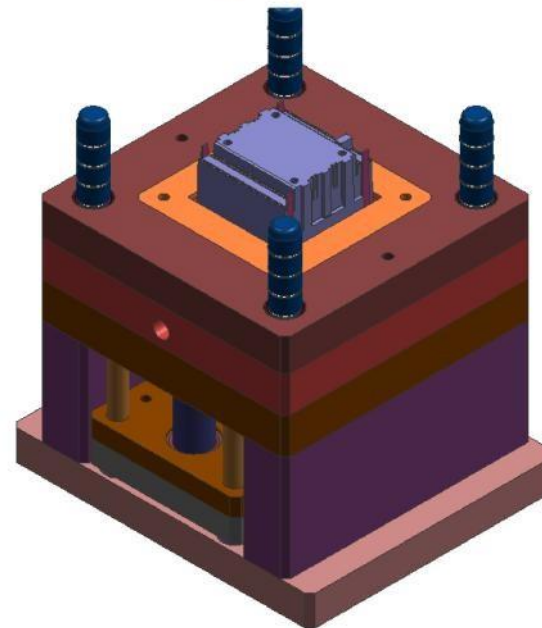
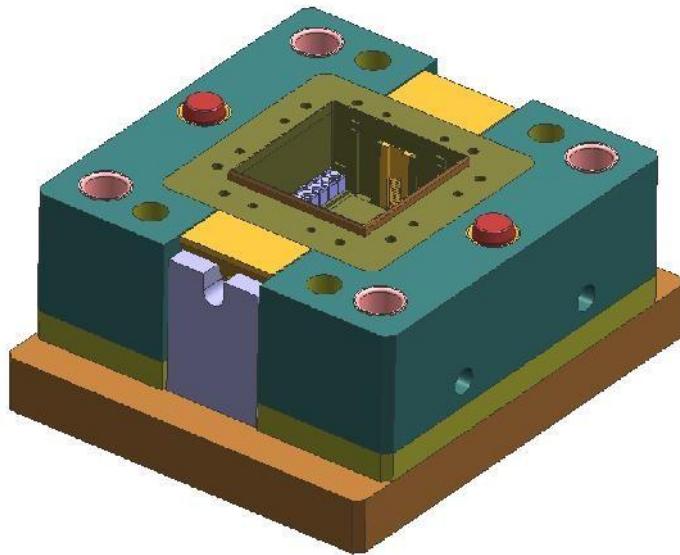


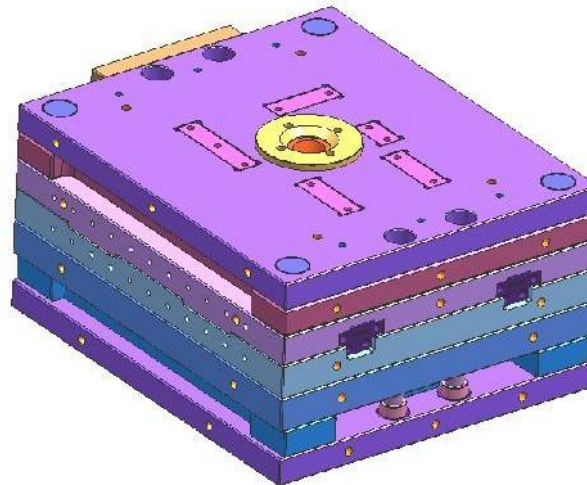
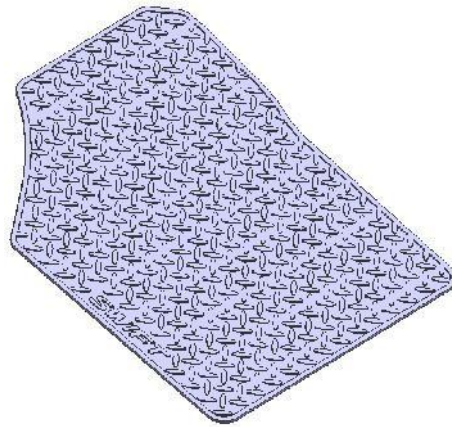
Customer : Premier Plamotec
End Customer : Honda
Part name : MAT-FLOOR-K86A
Part size : 440 x 400 x 13
Part Weight : 900gms
Part Material : PVC
Mould Size : 580 x 640 x 404



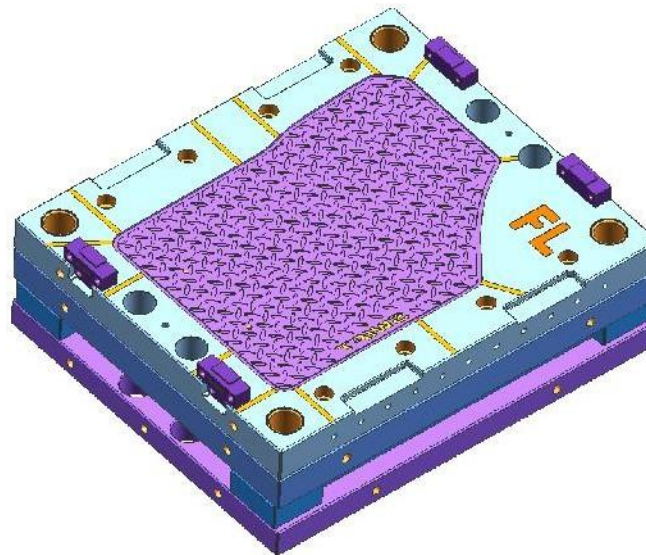
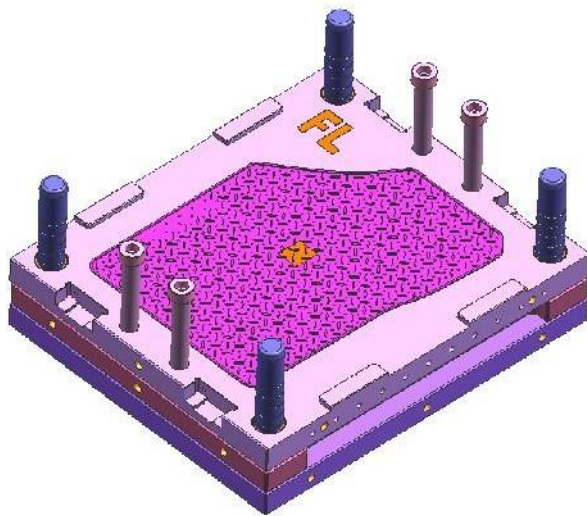


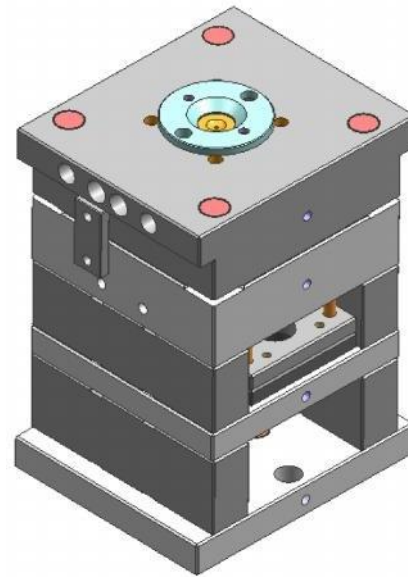
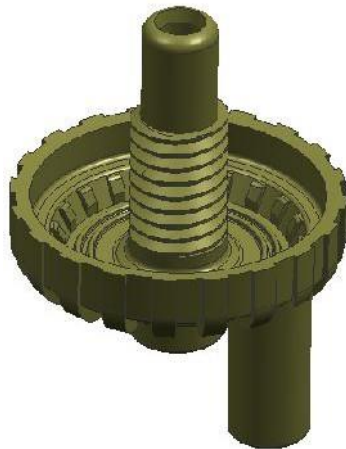
Customer: Rotary Electronics
Part name : 96x96 Enclosure
Part size : 96 x 96 x 54
Part Weight : 55gms
Part Material : ABS
Mould Size : 246 x 246 x 360



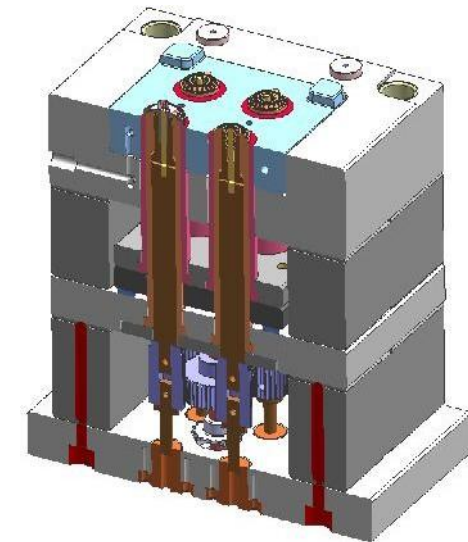
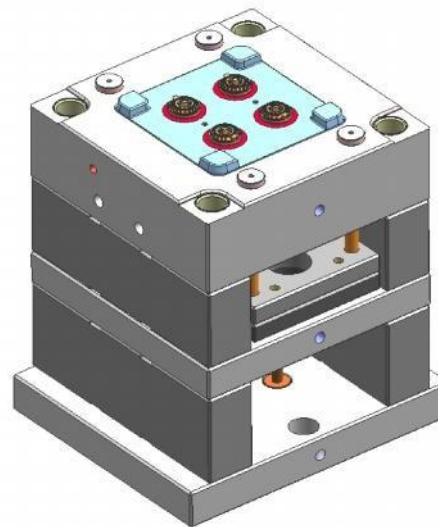
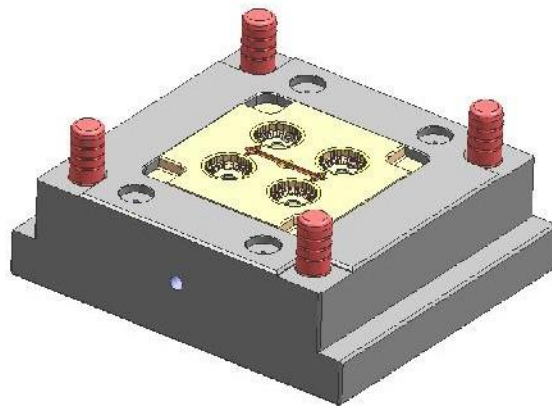


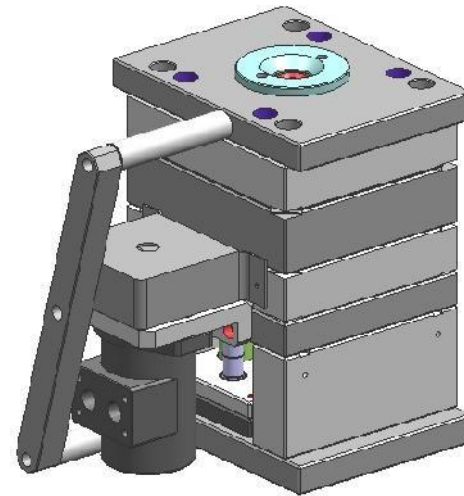
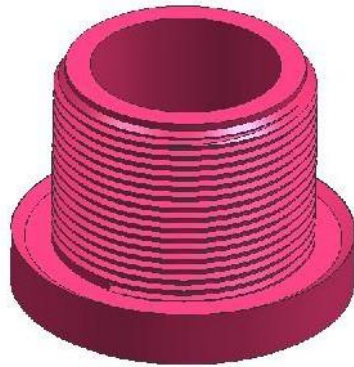
Customer : Premier Plamotec
End Customer : Maruthi Suzuki
Part name : MAT-FLOOR-FL-YSD
Part size : 640 x 500 x 7
Part Weight : 750gms
Part Material : PVC
Mould Size : 840 x 720 x 424



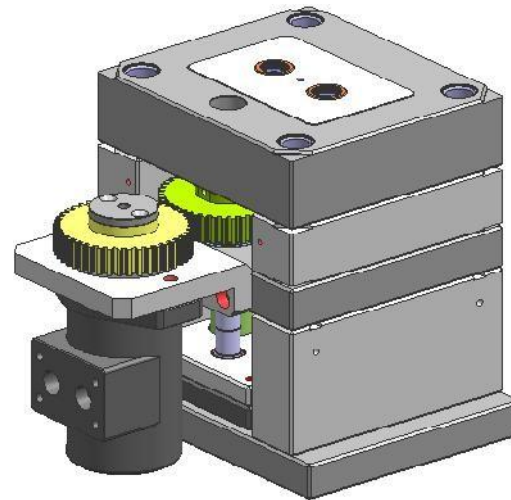
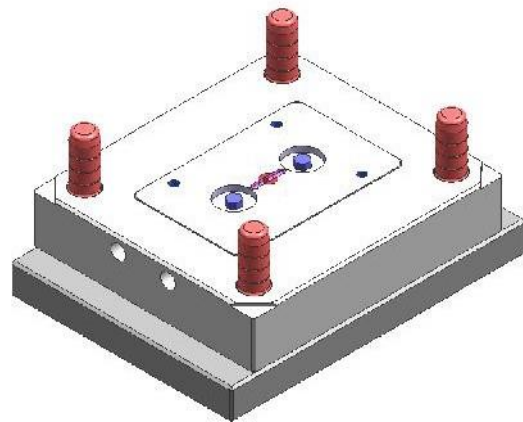


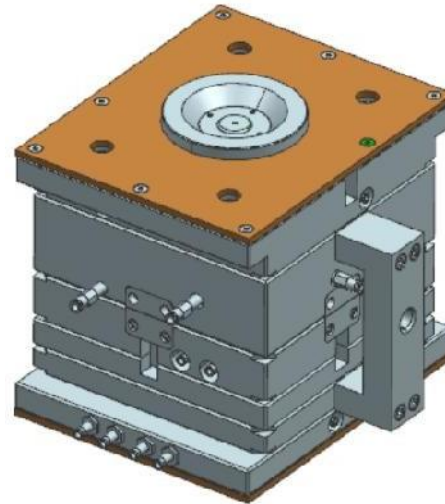
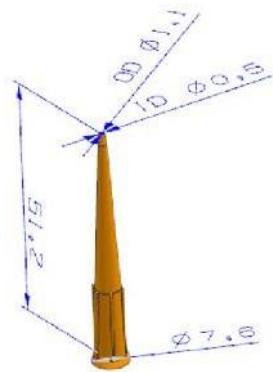
Customer : Rotary Electronics
Part name : VALVE-DRAIN
Part size : $\text{Ø}32 \times 42$
Part Weight : 4gms
Part Material : ABS
Mould Size : 246 x 286 x 395



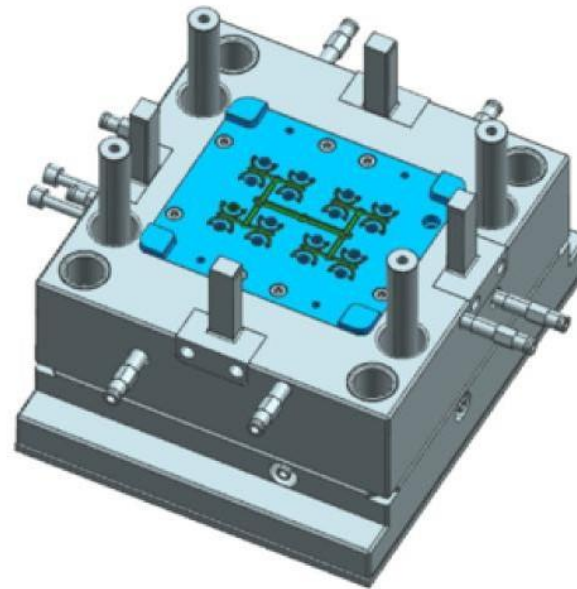
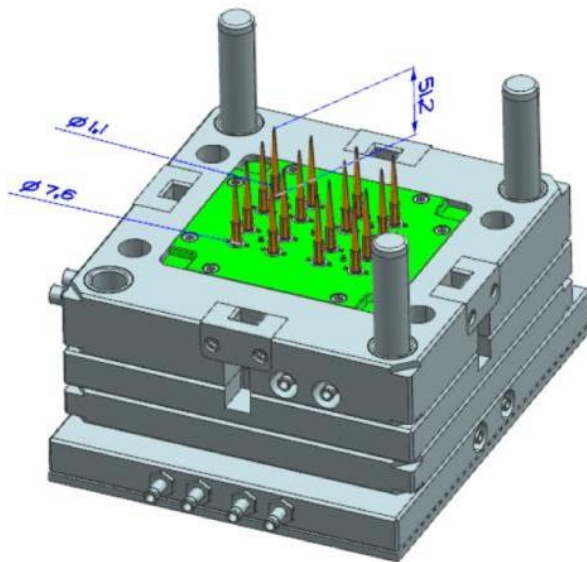


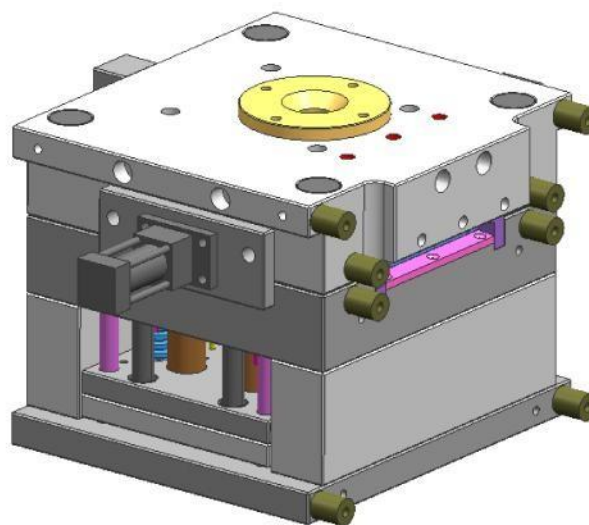
Customer : Brakes India
Part name : PLUG
Part size : $\text{Ø}29 \times 20$
Part Weight : 6gms
Part Material : PA66 GF30
Mould Size : 196 x 246 x 330



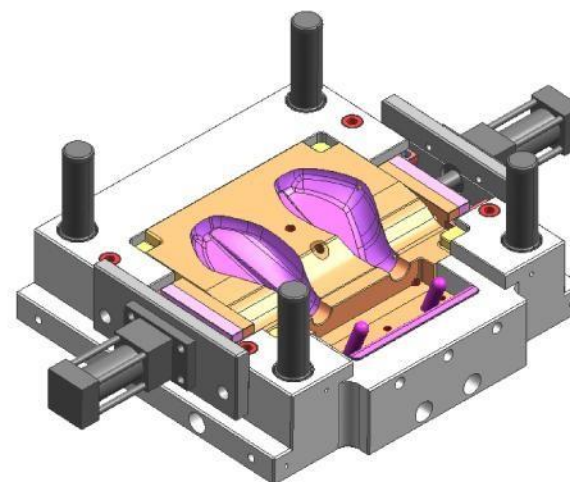
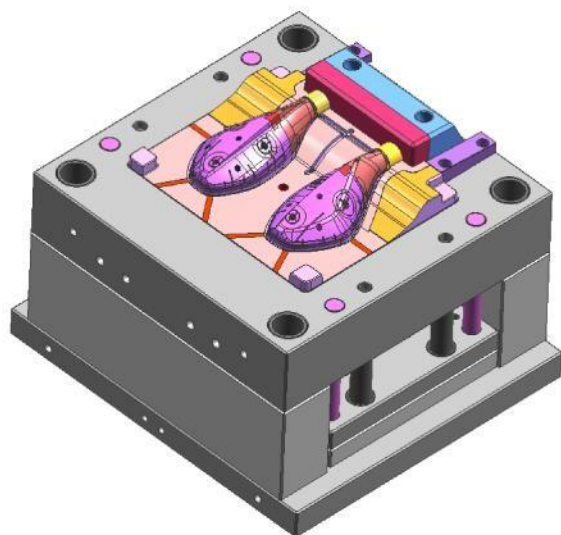


Customer - Cyient
 Part name : 100µltr pipette tips
 Part size : $\text{Ø}1.1/\text{Ø}7.6 \times 51.2\text{L}$
 Part Weight : 3milligrams
 Part Material : RCPP
 Mould Size : 246 x 260 x 296
 Runner – Hot Sprue

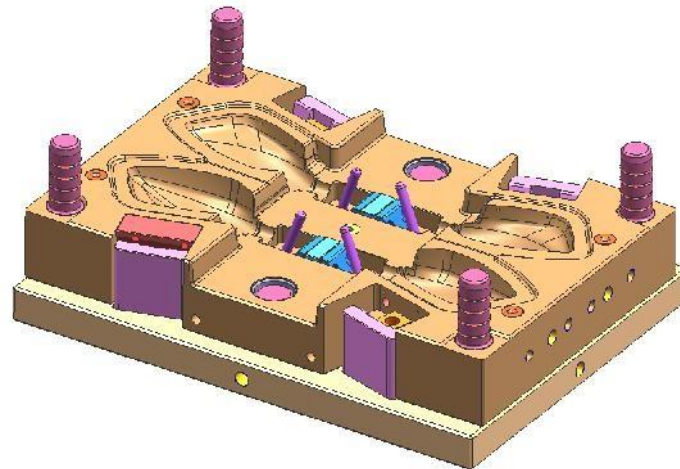


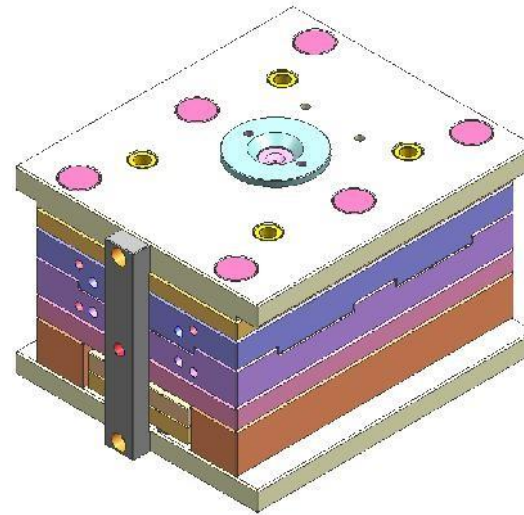
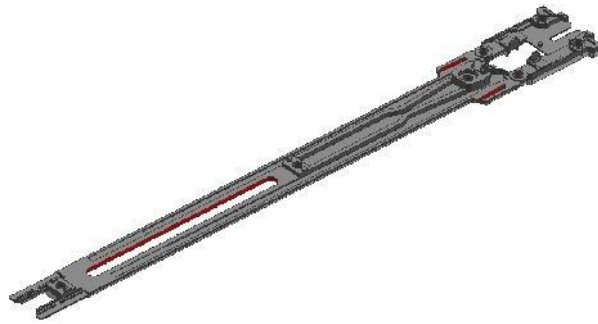


Customer – Sandhar Automotive
Part name : KO-Housing-BMW
Part size : 92 x 175 x 49
Part weight : 61gms
Part Material : PA6-15% GF
Mould Size : 496 x 496 x 475

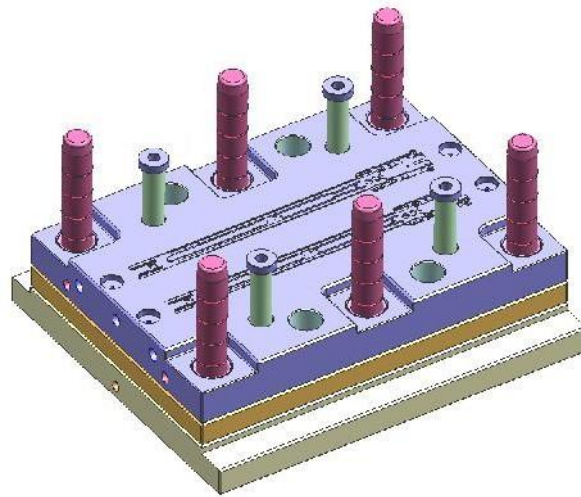


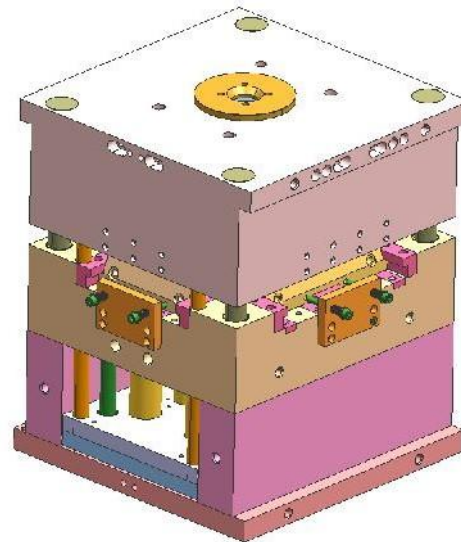
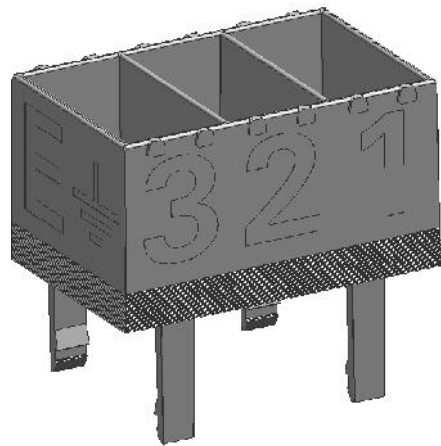
Customer – Sandhar Automotive
Part name : Mirror-Housing-Apache
Part size : 102 x 176 x 53
Part Weight : 65gms
Part Material : PPCP
Mould Size : 646 x 446 x 470



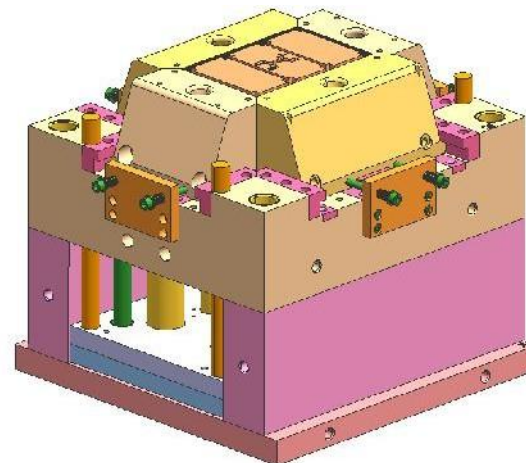
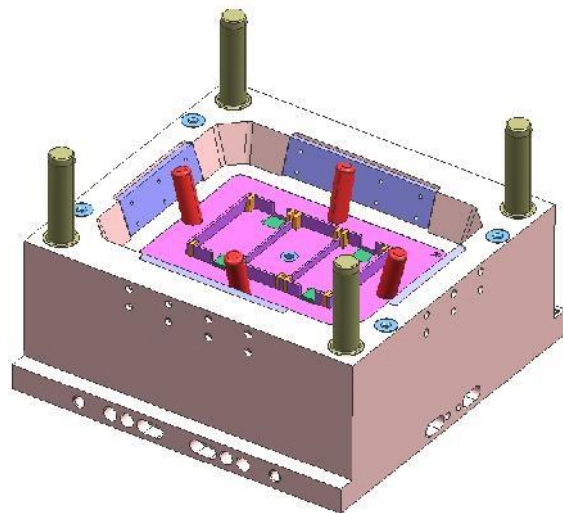


Customer – Sandhar Automotive
Part name : Mid Part
Part size : 20 x 310 x 8
Part Weight : 11gms
Part Material : Nylon 15% GF
Mould Size : 296 x 396 x 255

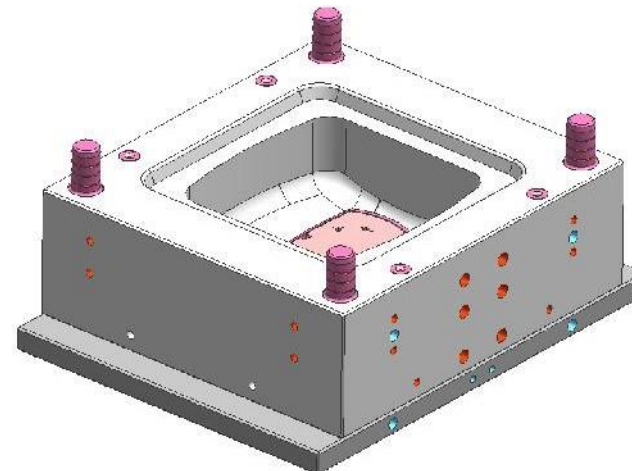
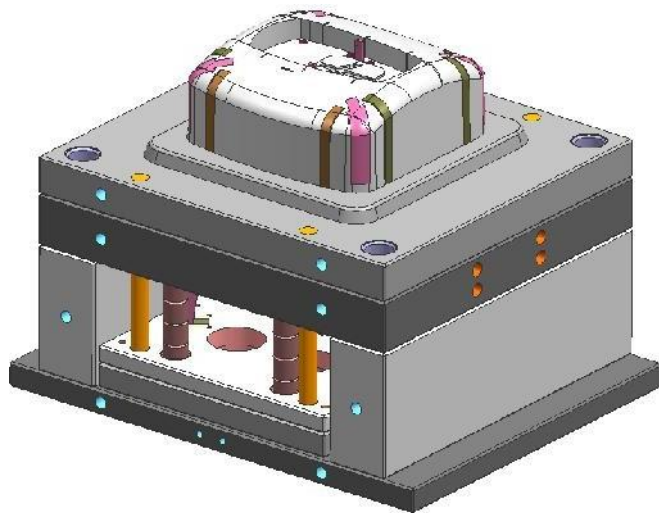
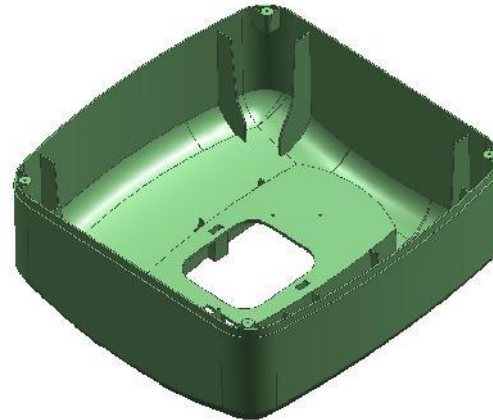
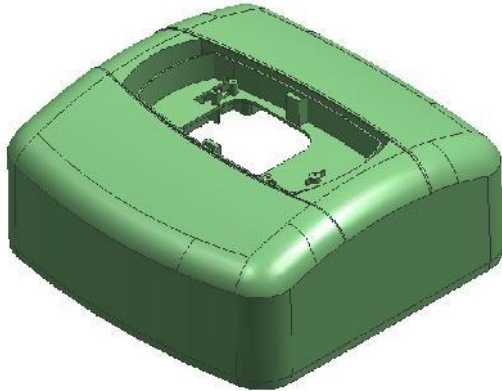


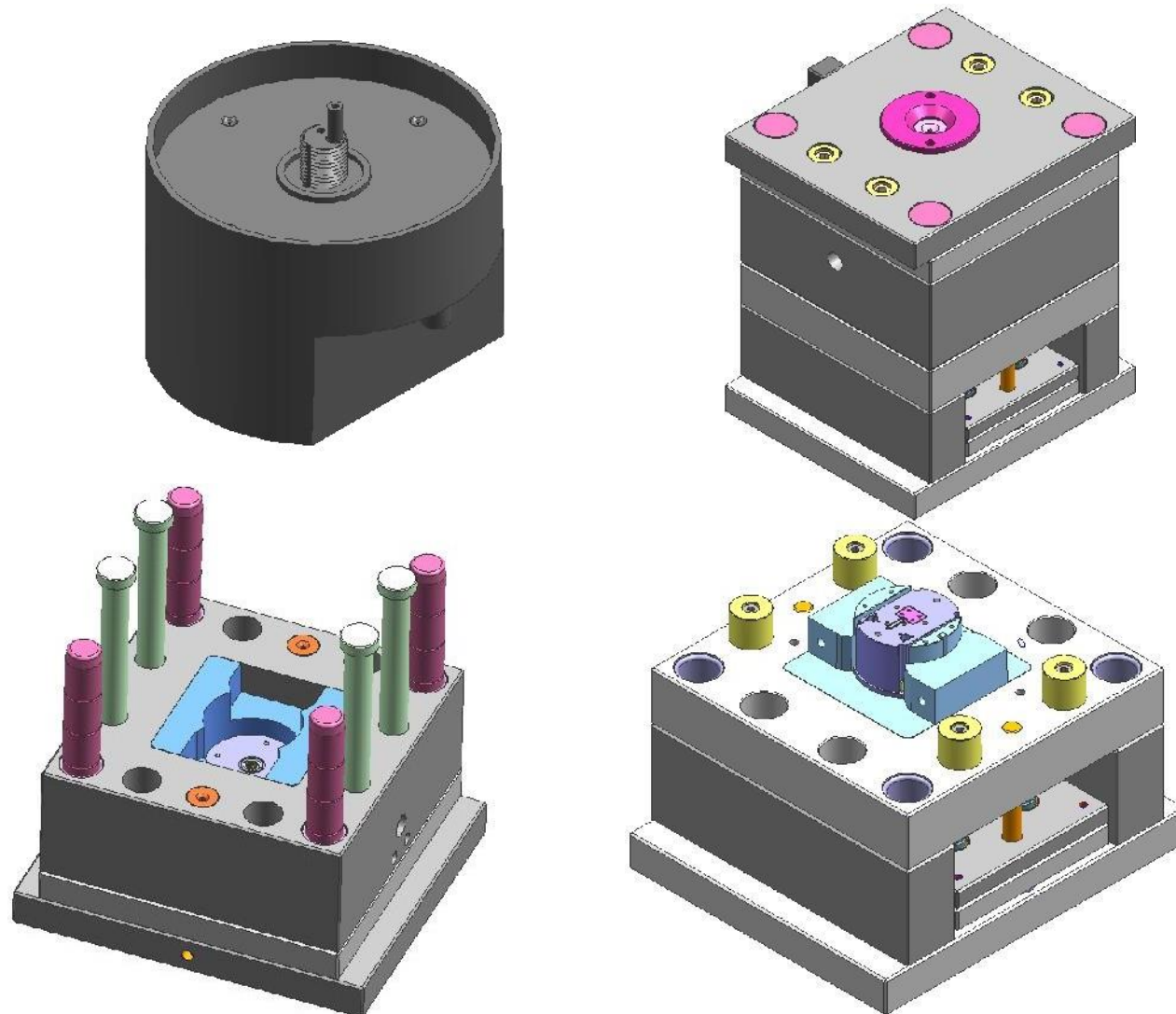


Customer: Tyco
Part name : Terminal Cover
Part size : 220 x 160 x 201
Part Weight : 665gms
Part Material : PP
Mould Size : 446 x 496 x 600



Customer – AO Smith
Part name : FRONT-COOVER-6L
Part size : 320 x 320 x 140
Part Weight : 750gms
Part Material : ABS
Mould Size : 546 x 596 x 586





Customer : Rotary Electronics
Part name : AD-Housing
Part size : $\text{Ø}92 \times 75$
Part Weight : 68gms
Part Material : PA66 30% GF
Mould Size : 296 x 296 x 375

